

Web Tension Transmitter



FEATURES

- Ruggedized, field mounted web tension transmitter
- Integral multiple-transducer summing circuit
- Digital filtering dampens vibration without reducing response time
- 0-10V, 4-20mA, and RS-485 signal outputs
- 3½ digit front panel display with trailing zero
- NEMA 4/4X enclosure standard

OPTIONAL FEATURE

- Modbus RTU or Allen-Bradley Remote I/O Interface

DESCRIPTION

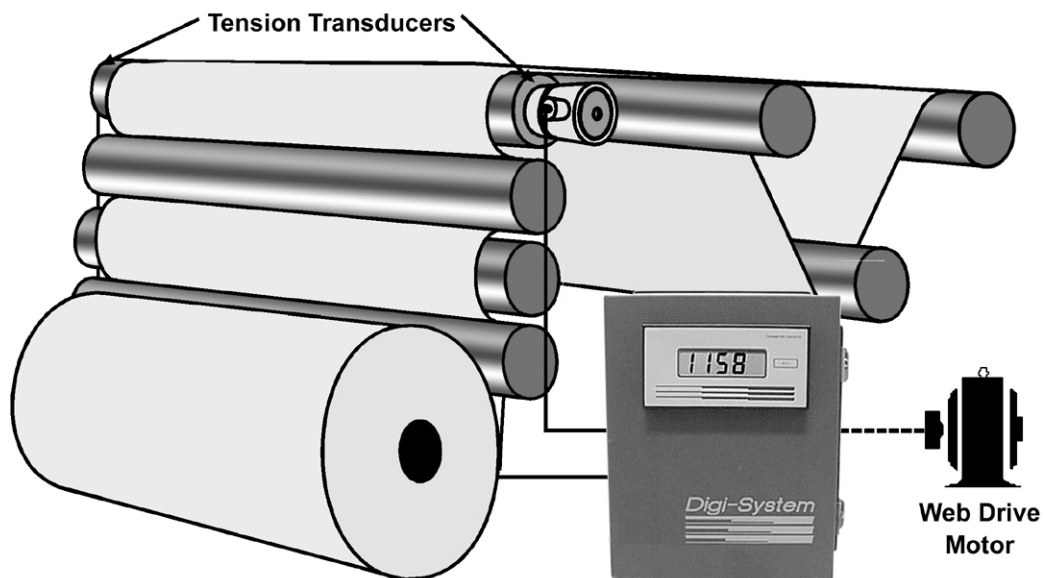
DXt-15 transmitters add high accuracy, 50,000 count resolution for web tension measurement systems. Precision tension measurement signals from LTT or HTZ transducers are measured, processed, and displayed on the front panel meter. Simultaneously, precise web tension signals are transmitted through the analog and serial outputs.

Digital filtering ensures stable display readings and smooth output signals for brake and motor drive controls. The DXt-15 contains an internal multi-cell summing circuit, 10 or 15 volt excitation, and digital RS-485 or Allen-Bradley Remote I/O outputs.

APPLICATIONS

- Paper machines
- Converting equipment
- Roofing shingle machines

CONFIGURATION



SPECIFICATIONS

Performance

Resolution	50,000 counts
Sensitivity	0.5 microvolt/count
Full Scale Range	25 or 35mV (selectable)
Dead Load Range	100%
Input Impedance	10 Mohms, min
Load Cell Excitation (Selectable)	10V for up to eight 350 ohm load cells (250mA) 15V for up to six 350 ohm load cells (260mA)
Linearity	±0.01% of full scale
Common Mode Rej.	100db or better at or below 35Hz
Conversion Speed	50msec

Temperature Coefficient

Span	±2ppm/°C typical, 7ppm/°C max.
Zero	±2ppm/°C

Environment

Operating Temperature	-10 to 55°C (12 to 131°F)
Storage Temperature	-20 to 85°C (-4 to 185°F)
Humidity	5 to 90% rh, non-condensing
Voltage	115/230 Vac ±15% 50/60 Hz
Power	10 watts max
Parameter Storage	EEPROM
EMI/RFI	shielded from typical industrial interference

Display

Type	3 1/2 digit LCD with trailing zero characters are 0.7" tall
------	--

Enclosure

Dimensions (NEMA 4/4X) 11.5x 8.0 x4.3 HxWxD

Isolated Analog Output

Type	12 bit D/A conversion
Voltage	0 to 10 volt (25K ohm min load)
Current	4 to 20mA (1000 ohm max load)

Serial Communication

Simplex Data Output (Standard)

Interface Type	RS-485 simplex ASCII data
Baud Rates	1200 or 9600
Data Format	7 data bits, even parity, 1 stop bit

Terminal/Computer Interface (Optional)

Interface Type	RS-485 half duplex (standard)
Baud Rates	1200 or 9600
Protocol	ASCII duplex command/ response
Format Format	7 data bits, even parity, 1 stop bit

Interface/Protocol Options

Allen Bradley	
Remote I/O	1/4 logical rack
Modbus	RTU protocol

Approvals

FM (Factory Mutual)	3611 (Class I, II, III; Div.1,2; Groups A-G)
CSA	C22.2 (Class I, II,III; Div.1,2; Groups A-G)

Allen-Bradley is a trademark of Rockwell Automation
Modbus is a trademark of Schneider Automation.

BLH is continually seeking to improve product quality and
performance. Specifications may change without notification.

OUTLINE DIMENSIONS

